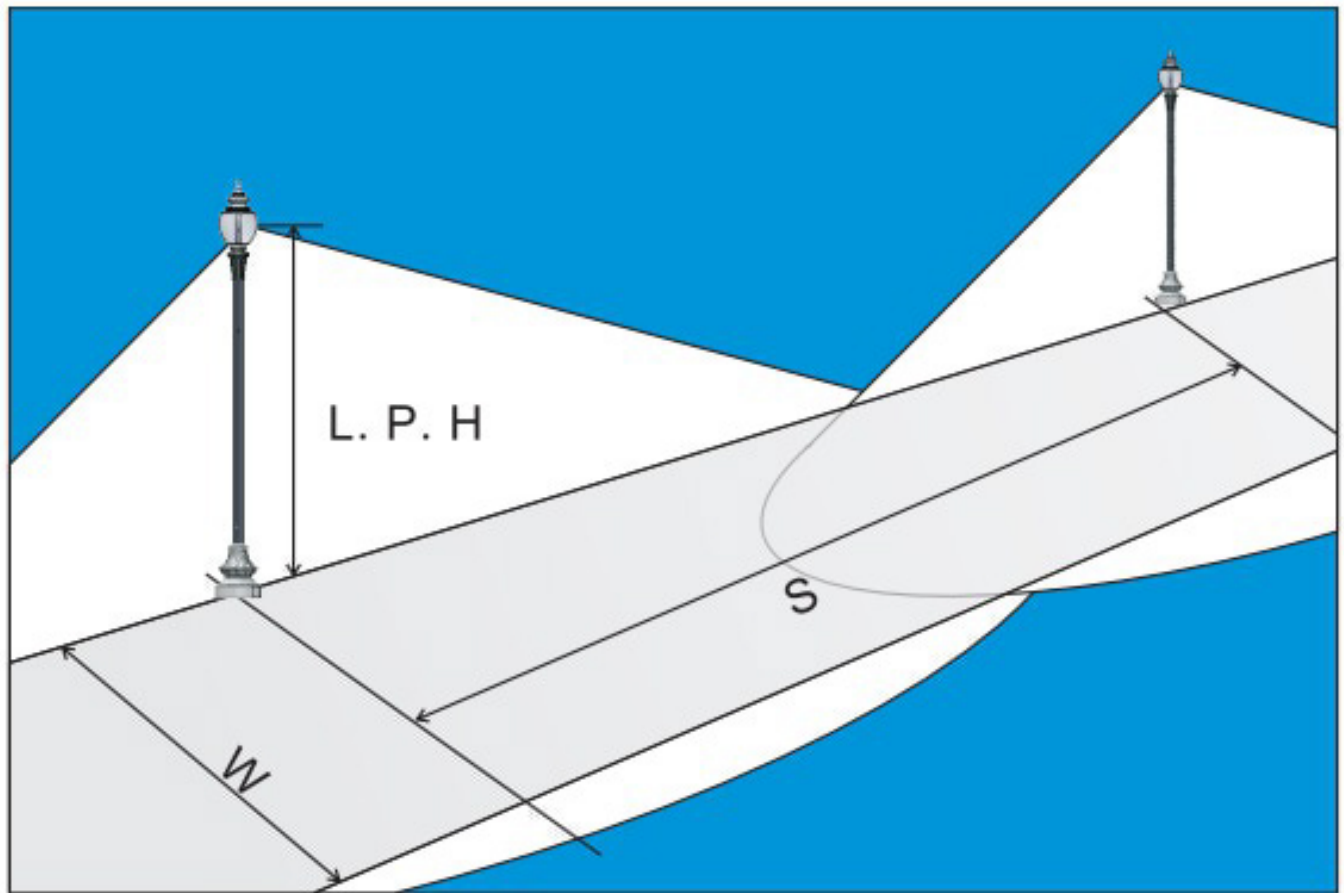


LIGHT DISTRIBUTION



Pedestrian precincts – footpaths and bicycle paths

Model: **4001** 150W HPS/150W MH/40W LED

LPH	W	S	Eave (lux)	$\frac{E_{min}}{E_{ave}}$
12'	19.7'	50'	55	0.21

Asymmetrical reflectors

Asymmetrical reflector system is designed for use with surfaces where the width is small in relation to the length, such as streets, footpaths and bicycle paths. The values given in the tables are for guidance only.

