

FIG. 1

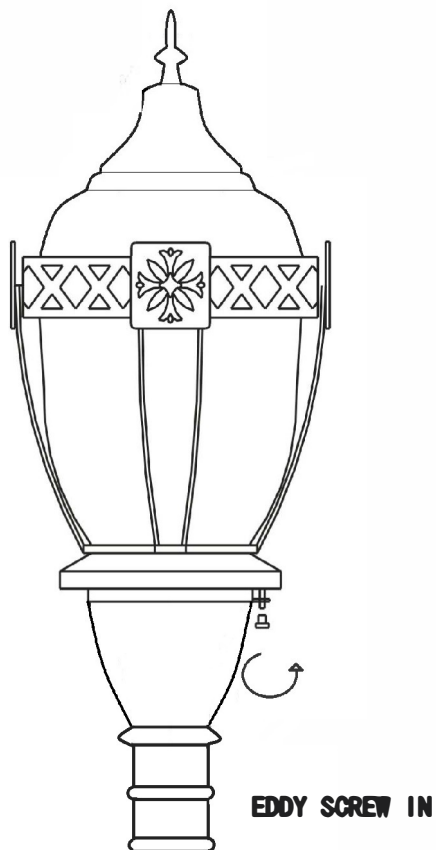
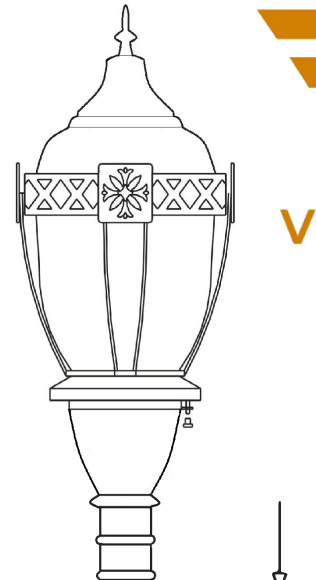


FIG. 2

4003



EDDY SCREW IN



EDDY SCREW IN

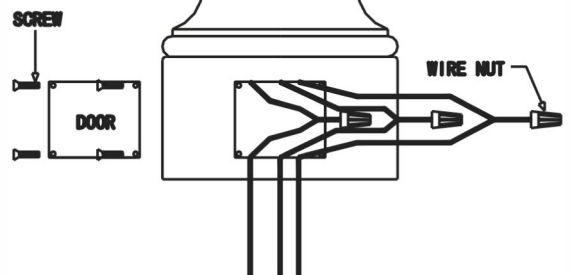


FIG. 3