

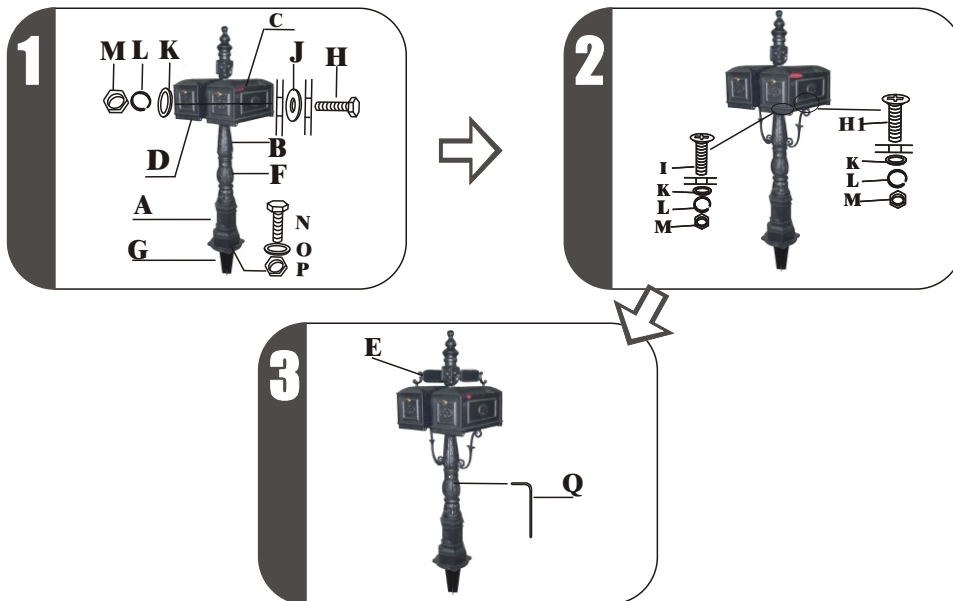
# ASSEMBLY INSTRUCTIONS

**ATTENTION:**

1. Please read these instructions carefully before assembly.
2. Aluminum is soft metal over tighten may strip thread or break the part.
3. DO NOT use power tools.

**Assembly steps:**

1. Attach the fork(G) to the ground with screw(N) flat washer(O) nut(P). Place base(A) onto a soft clean surface. Loosely the base to the extention(F) using bolts which have Assembled on the extention. Loosely attach the support(D) to the pole(B), don't tighten the bolts at this time.
2. Loosely attach box(C) to the pole with screws(H,D), flat washers(K),lock washers(L),rubber washers(J) and nuts(M) as the diagram(1) and (2).
3. Loosely attach support to the box with screws(H1), flat washers(K), lock washers(L) and nut(M).
4. Loosely attach name plate(E) to the box. Tighten the extension with wrench(Q). Level all parts on right position. Tighten all the screws and nuts completely.



Parts list	Parts picture	Description	Q'ty	Parts list	Parts picture	Description	Q'ty
A		Base	1	H		Short screw	4
B		Pole	1	H1		Middle screw	2
C		Box	2	I		Long screw	2
D		Support	2	J		Rubber washer	4
E		Name plate	2	K		Flat washer	8
F		Extension	1	L		Lock washer	8
G		Fork	1	M		Nut	8
				N		Screw	4
				O		Flat washer	4
				P		Nut	4
				Q		Wrench	1