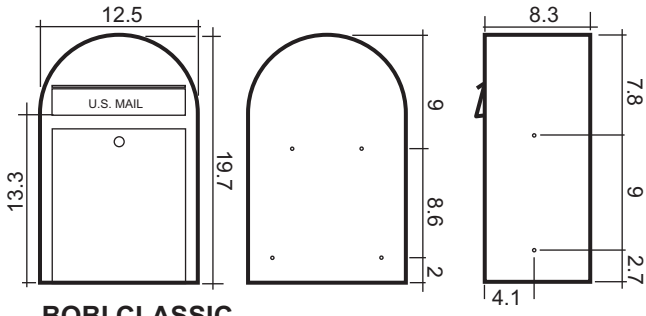
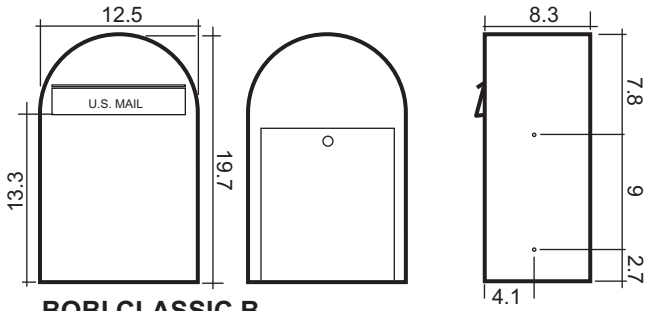


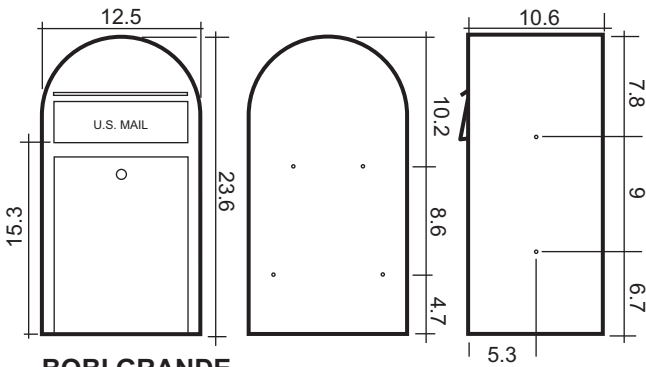
Measurements:



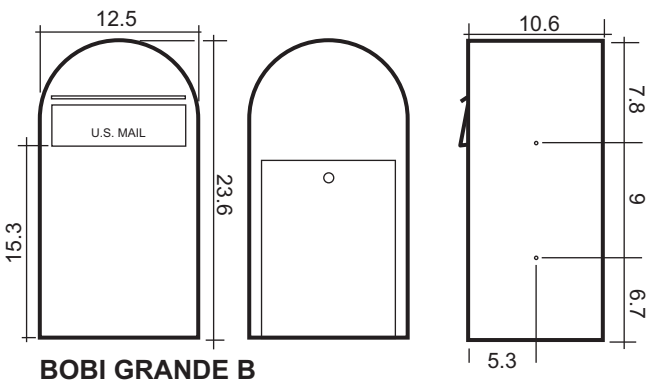
**BOBI CLASSIC**



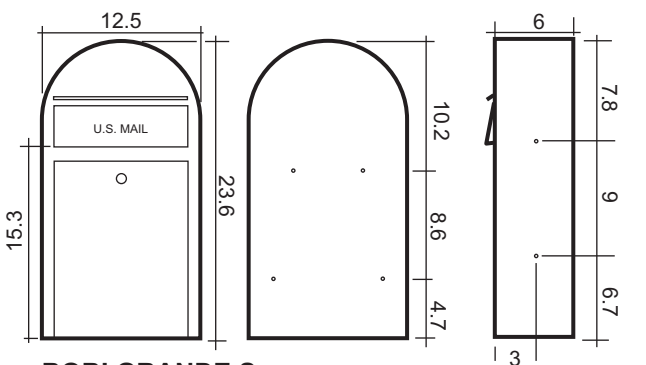
**BOBI CLASSIC B**



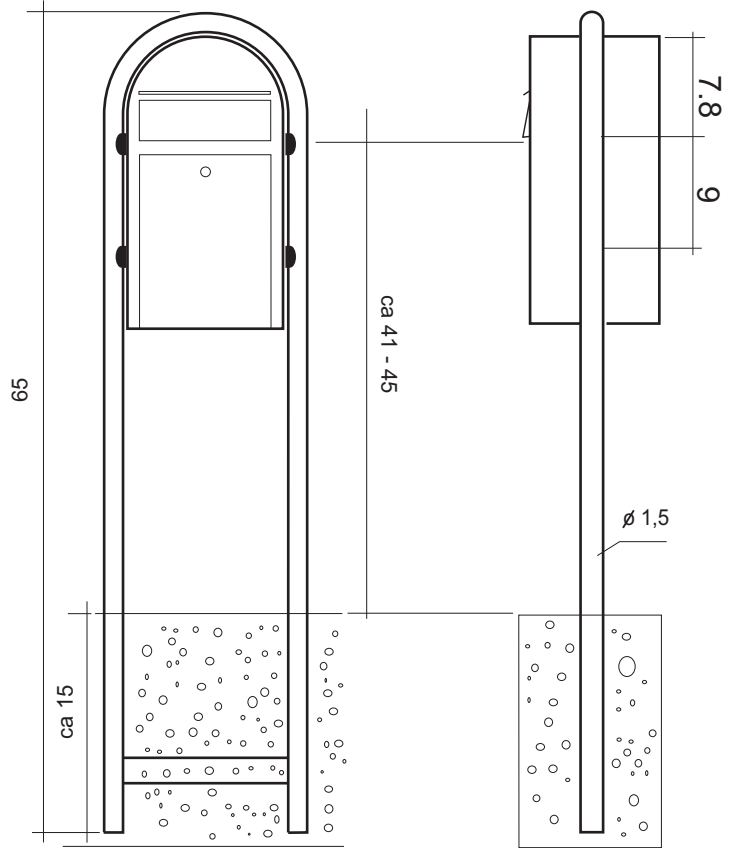
**BOBI GRANDE**



**BOBI GRANDE B**



**BOBI GRANDE S**



**BOBI ROUND**



Post Office requirements for installation of Bobi mailbox for homeowners with curbside delivery.

Mailbox must be placed on the righthand side of the road in the direction of travel of the carrier.

The mailbox must be placed to conform state laws and highway regulations, and must be accessible to the carriers without leaving their vehicles.

Contact your local post office before installing the mailbox to ensure its correct placement and height at the street.

A curbside mailbox must bear a box or house number, inscribed in neat numerals at least 1" high in the side of the box or on the door if boxes are grouped. The mailbox may also bear the owner's name.

